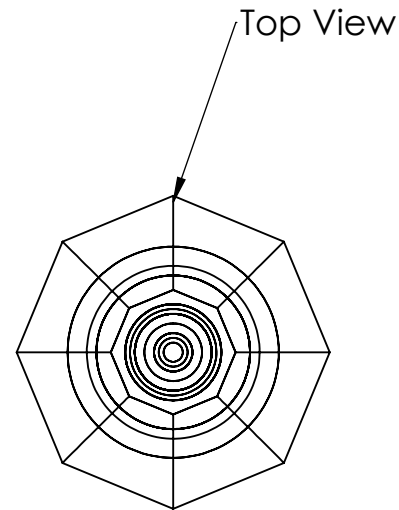
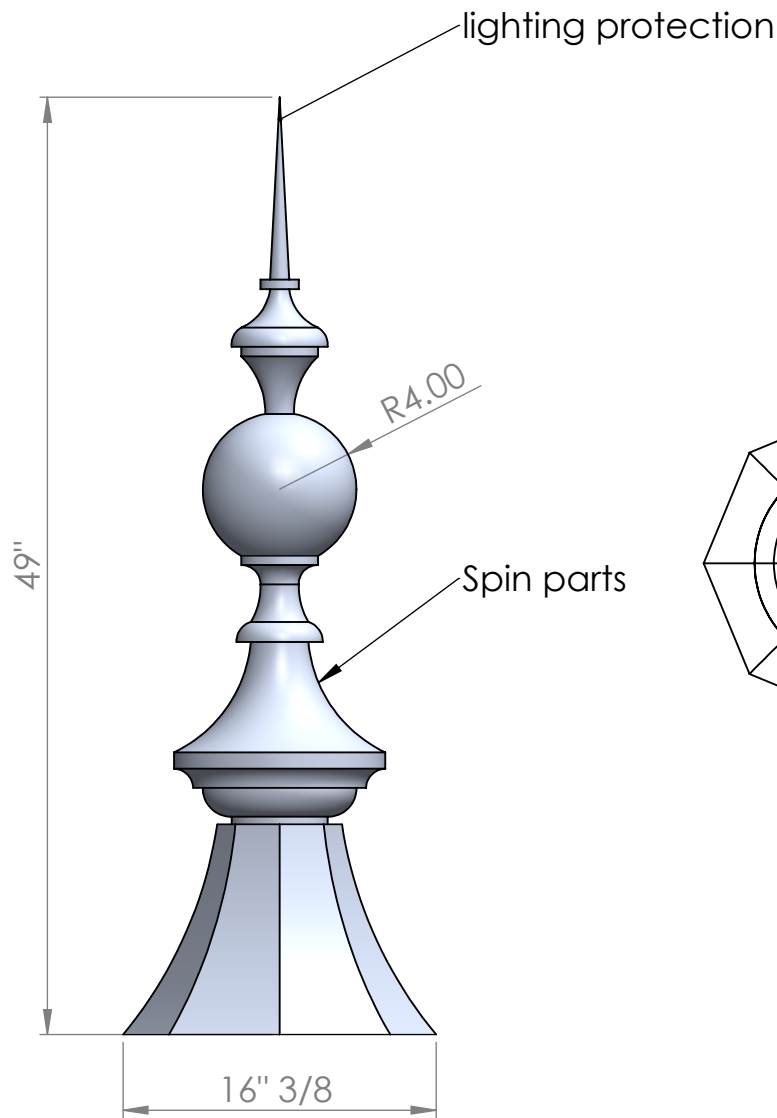


2

1

B

B



A

A



PROPRIETARY AND CONFIDENTIAL
 THE INFORMATION CONTAINED IN THIS DRAWING IS THE SOLE PROPERTY OF PJ Metal Craft LLC. ANY REPRODUCTION IN PART OR AS A WHOLE WITHOUT THE WRITTEN PERMISSION OF PJ Metal Craft LLC. IS PROHIBITED.

Roof Shapes:						Base Shapes					
Flat Roof	Gable	4 hip pyramid	Hip End &Ridge	Cone Turret	4 hip &Ridge	Hexagon Turret	Octagon Turret	4 SideBox Straight cone Curved cone	Round base Round Cone	Hexagon/Octagon Straight cone Curved cone	
Roof Shape :		Material:				PJ Metal Craft LLC. Pjmetalcraft.com Pjmetalcraft@gmail.com 1-855-912-5557					
Roof Pitch: /12"		Lighting protection:									
Custom size:		Base Shape:									
Signature:						SIZE A fourcade finial REV.					
SCALE:1:20						WEIGHT:			SHEET 1 OF 1		

2

1