

2

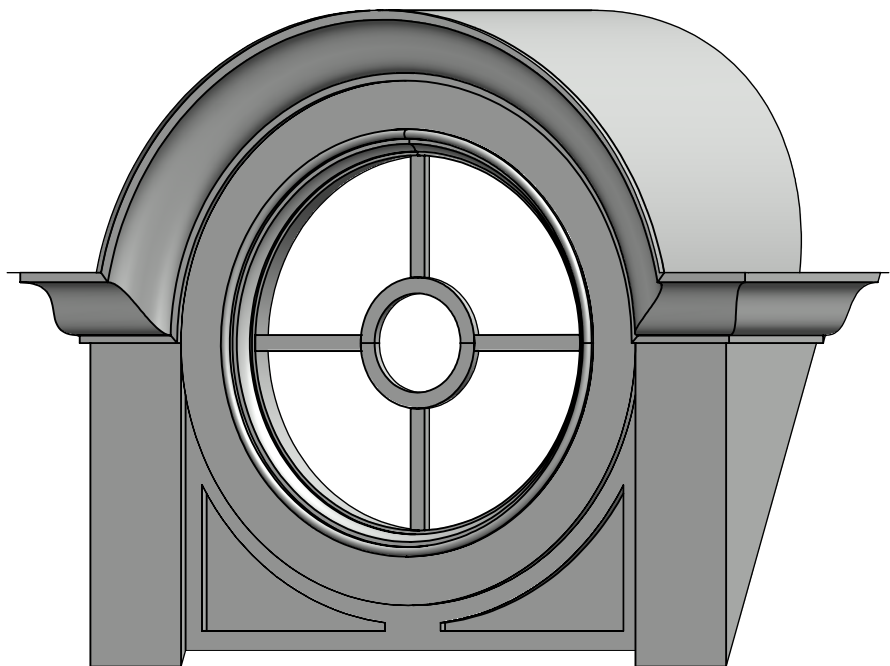
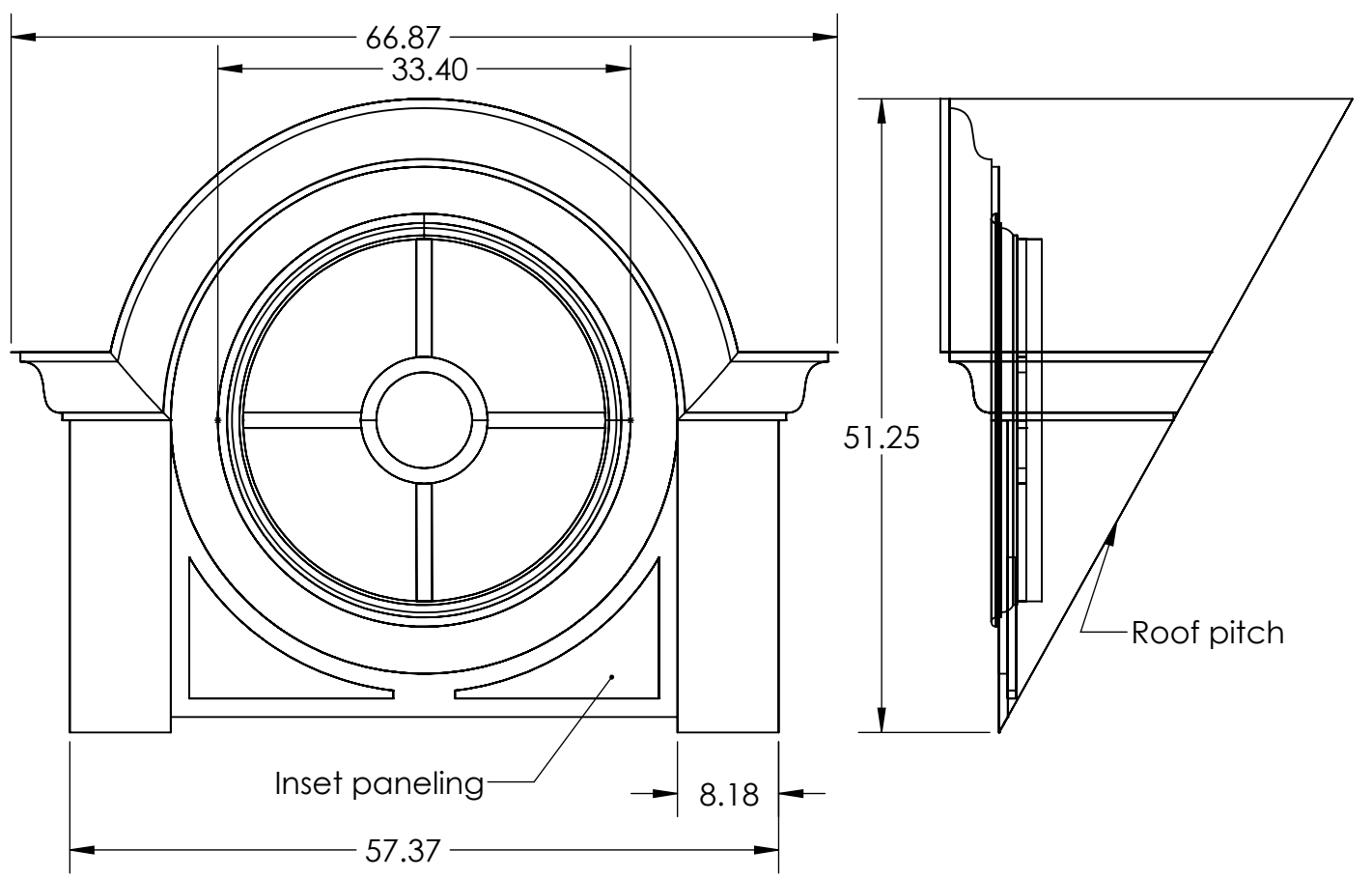
1

B

B

A

A



**PROPRIETARY AND CONFIDENTIAL**  
 THE INFORMATION CONTAINED IN THIS DRAWING IS THE SOLE PROPERTY OF **PJ Metal Craft LLC**. ANY REPRODUCTION IN PART OR AS A WHOLE WITHOUT THE WRITTEN PERMISSION OF **PJ Metal Craft LLC**, IS PROHIBITED.

		DIMENSIONS ARE IN INCHES TOLERANCES: FRACTIONAL ± ANGULAR: MACH ± BEND ± TWO PLACE DECIMAL ± THREE PLACE DECIMAL ±		NAME	DATE
		MATERIAL		DRAWN	
		FINISH		CHECKED	
NEXT ASSY	USED ON			ENG APPR.	
APPLICATION		DO NOT SCALE DRAWING		MFG APPR.	
				Q.A.	
				COMMENTS:	

**PJ Metal Craft LLC.**  
 Pjmetalcraft.com  
 Pjmetalcraft@gmail.com  
 1-855-912-5557

SIZE <b>A</b>	Exeter	REV.
SCALE: 1:15	WEIGHT:	SHEET 1 OF 1

2

1