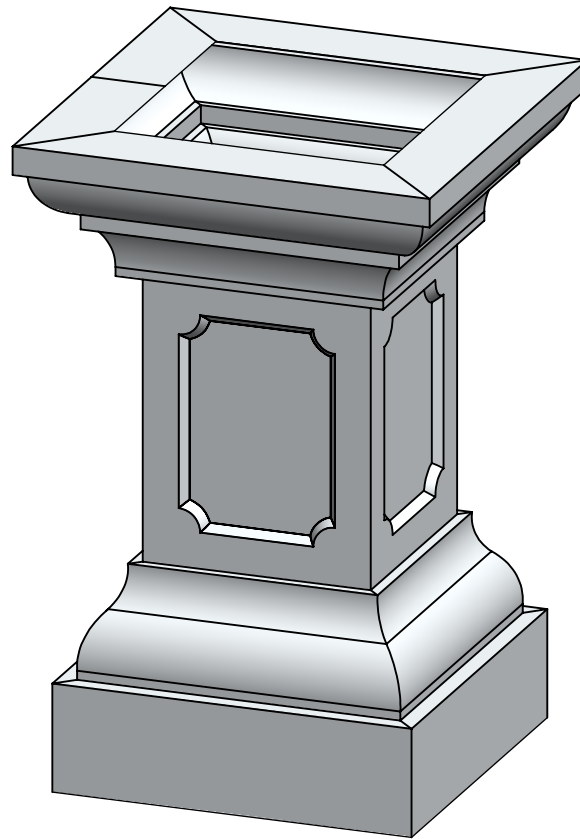
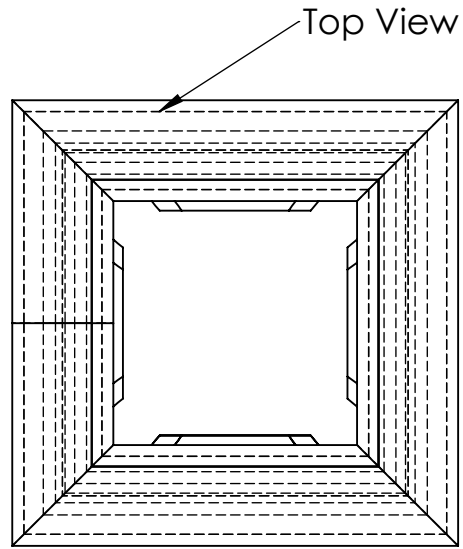
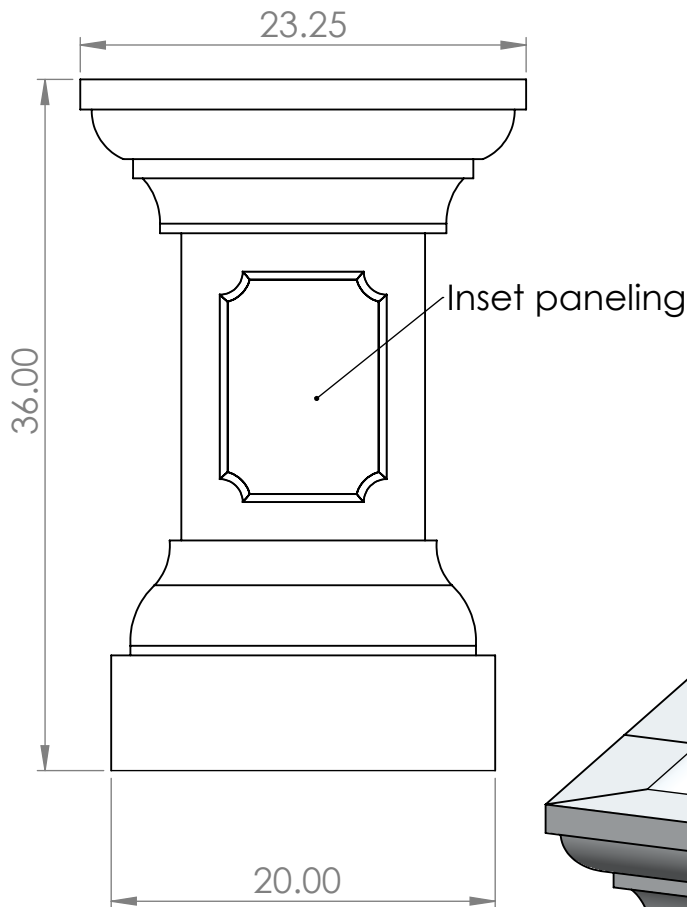


2

1



B

B

A

A

		DIMENSIONS ARE IN INCHES TOLERANCES: FRACTIONAL ± ANGULAR: MACH ± BEND ± TWO PLACE DECIMAL ± THREE PLACE DECIMAL ±	NAME	DATE
			DRAWN	
			CHECKED	
			ENG APPR.	
			MFG APPR.	
			Q.A.	
			COMMENTS:	
		MATERIAL		
		FINISH		
NEXT ASSY	USED ON			
APPLICATION		DO NOT SCALE DRAWING		

**PJ Metal Craft LLC.**  
 Pjmetalcraft.com  
 Pjmetalcraft@gmail.com  
 1-855-912-5557

SIZE	DWG. NO.	REV.
<b>A</b>	tony	
SCALE:1:10	WEIGHT:	SHEET 1 OF 1

**PROPRIETARY AND CONFIDENTIAL**  
 THE INFORMATION CONTAINED IN THIS DRAWING IS THE SOLE PROPERTY OF **PJ Metal Craft LLC.** ANY REPRODUCTION IN PART OR AS A WHOLE WITHOUT THE WRITTEN PERMISSION OF **PJ Metal Craft LLC.** IS PROHIBITED.

2

1